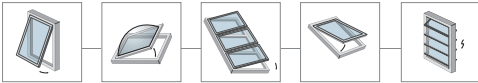


# FAST 50

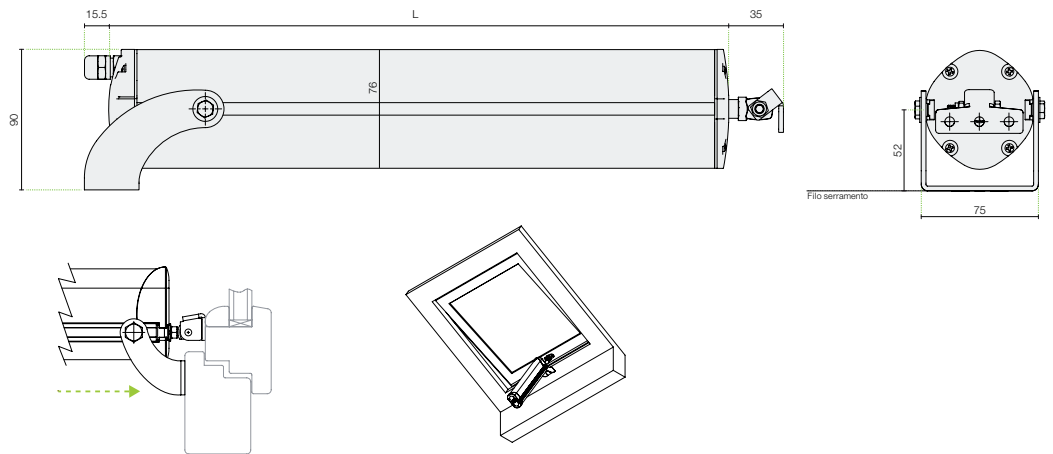
- SOFT START & STOP
- Rilevamento ostacoli | *Obstacle detection*
- Fine corsa | *Stroke limit*
- Velocità | *Speed* 19 mm/sec
- Forza di spinta | *Thrust force* 500 N
- Servizio | *Type of service* S2 - 4 min
- Temp min-max -5°C / +50°C

IP55



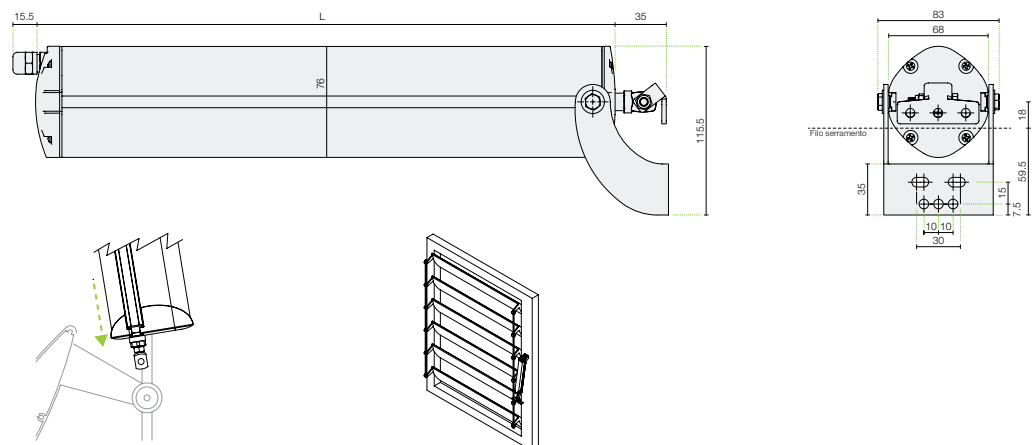
## Apertura a sporgere

Top hung outward opening window



## Pale frangisole

Solar shading



## FAST

Article	Product code	Colour	Strokes	Lenght L	Push pull	Power	Motor voltage	Idle Stroke	Weight	Pieces
50/160 230V basic	MFAST 160 H 0B 00	■ Grey RAL 7035	160 mm	297	500 N	170W	0,7A	19 mm/s	1,9 Kg	1
50/200 230V basic	MFAST 200 H 0B 00	■ Grey RAL 7035	200 mm	297	500 N	170W	0,7A	19 mm/s	2,0 Kg	1
50/300 230V basic	MFAST 300 H 0B 00	■ Grey RAL 7035	300 mm	397	500 N	170W	0,7A	19 mm/s	2,2 Kg	1
50/400 230V basic	MFAST 400 H 0B 00	■ Grey RAL 7035	400 mm	497	500 N	170W	0,7A	19 mm/s	2,4 Kg	1

Comando a parete  
Push-button



L < 125 cm  
Base / Length

Fino a **30** finestre  
Up to **30** windows

