

AIRWIN

Attuatore elettrico a cremagliera per apertura e chiusura di Shed, lucernai, pale frangisole e cupole

Rack actuator for opening/closing SHED top-hung windows, skylights, brise soleil blades and domes.

Le grandi aperture

Big openings



Aperture | Opening



Caratteristiche tecniche | Technical characteristics

- Forza di spinta e trazione / *Thrust and tension force*: **600N - 450N**
- Tensioni / *Tensions*: 230VAC 50Hz - 24VDC
- Corse disponibili / *Strokes available*:
180-230-350-550-750-1000 mm
- Collegabile in parallelo (max 30 attuatori) o con trasmissione meccanica unendo gli attuatori con tecnologia W-Net e gli attuatori meccanici
Up to 30 actuators can be connected in parallel thanks to W-Net technology
- Tecnologia W-Net per il collegamento parallelo da 2 a 4 attuatori nella stessa finestra (senza centralina elettronica esterna)
W-Net technology: from 2 up to 4 actuators per window can be operated in parallel (with no external connection unit)



COMUNELLO
FRAME AUTOMATION

AIRWIN

All'interno delle confezioni si trovano tutti gli elementi e gli strumenti che rendono semplici le operazioni di montaggio e di collegamento con l'impianto elettrico. Libretti ed informazioni tecniche sono disponibili anche sul sito comunello.com. È inoltre operativo il servizio di assistenza tecnica Airwin con supporto telefonico. Gli attuatori della serie Airwin sono conformi alle Direttive CE (Direttiva EMC, LVD e R&TTE) e successivi emendamenti

The box contains all the parts and equipment you need to make set up and connection as easy as possible. Instruction manuals and technical information are available on our website at www.comunello.com. We also offer our Airwin service to provide expert technical support by phone. The Airwin actuator range are in compliance with Directives EC (EMC, LVD and R&TTE directives) as amended.

Package contents

Attuatore a cremagliera con cavo elettrico o attuatore meccanico
Rack type actuator provided with electric supply cable or mechanical actuator

Staffa di ancoraggio e viti di regolazione
Anchor bracket and adjusting screws

Staffa di fissaggio per finestre e cupole a sporgere
Fixing bracket for top-hung windows and domes

Libretto di istruzioni multilingua
Multi-lingual user's guide

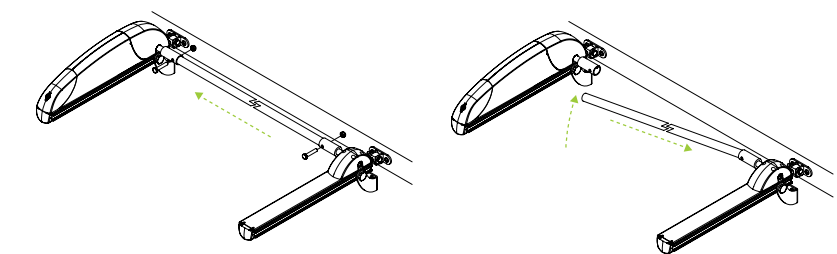


Punto di ancoraggio Anchorage point



Fissaggio regolabile su binario

Adjustable fixing system placed on the track



Unione di più punti spinta Union of more thrust points

Massima resistenza alla torsione

Highest mechanical resistance to torsion

AIRWIN ACCESSORIES

01 STAFFE DI SUPPORTO / SUPPORT BRACKETS
 10 pieces x pack (1,60 Kg)
 MR00 AS 01N 0G 00 Zincato bianco / White galvanized

02 ATTACCO PER FINESTRE / FITTING FOR WINDOWS
 30 pieces x pack (2,05 Kg)
 MR00 AA 01N 0G 00 Zincato bianco / White galvanized

04 BOCCOLE / COLLARS
 10 coppie x pack (1,10 Kg)
 MA00 XX 02N 0G 00 Zincato bianco / White galvanized

03 BARRA DI COLLEGAMENTO / CONNECTION BAR
 MA00 AB 01N 0G 00 L= 895 mm per interasse 1000 mm. Zincato bianco
 10 pcs x pack (6,20 Kg) for 1000 mm centre distance. White galvanized

MA00 AB 02N 0G 00 L= 1395 mm per interasse 1500 mm. Zincato bianco
 10 pcs x pack (9,60 Kg) for 1500 mm centre distance. White galvanized

MA00 AB 03N 0G 00 L= 1895 mm per interasse 2000 mm. Zincato bianco
 10 pcs x pack (13,10 Kg) for 2000 mm centre distance. White galvanized

MA00 AB 04N 0G 00 L= 2395 mm per interasse 2500 mm. Zincato bianco
 10 pcs x pack (16,60 Kg) for 2500 mm centre distance. White galvanized

MA00 AB 05N 0G 00 L= 2985 mm per interasse 3000 mm. Zincato bianco
 10 pcs x pack (20,00 Kg) for 3000 mm centre distance. White galvanized

RILEVATORE DI PIOGGIA
 RAIN SENSOR
 1 pezzo (0,44 Kg)

MX00 AR 01N 0G 00

MX00 AR 01N 0T 00



RILEVATORE VENTO
 WIND SENSOR
 1 pezzo (0,30 Kg)

MX00 AR 02N 0G 00



RILEVATORE VENTO/SOLE
 WIND/SUN SENSOR
 1 pezzo (0,30 Kg)

MX00 AR 02N 0T 00

UNITÀ DI CONTROLLO 1 USCITA MOTORE CON O SENZA RICEVENTE INTEGRATA
 1 OUTLET MOTOR CONTROL UNIT WITH OR WITHOUT BUILT-IN RECEIVER
 (230 Vac) 1 pezzo (0,22 Kg)



MX00 AU 02H 0W 00
 Con ricevente / With receiver

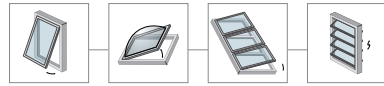
MX00 AU 03H 0W 00
 Senza ricevente / Without receiver



AIRWIN A45

- SOFT START & STOP
- Rilevamento ostacoli | *Obstacle detection*
- Fine corsa per assorbimento | *Stroke limit - resistance*
- Velocità | *Speed* 10 mm/sec
- Forza di spinta | *Thrust force* 450 N
- Servizio | *Type of service* S2 - 4 min
- Temp min-max -5°C / +50°C

IP44



L 1096 mm - C 1000 mm



L 846 mm - C 750 mm



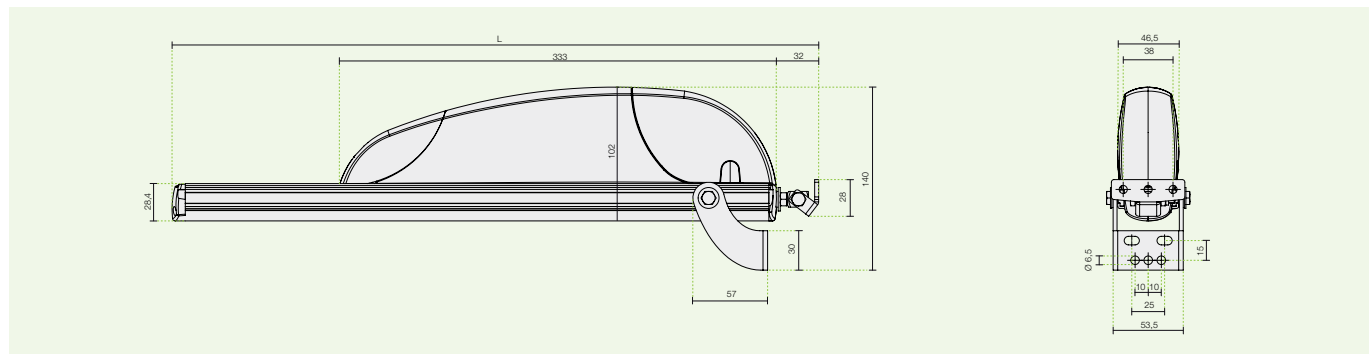
L 646 mm - C 550 mm



L 446 mm - C 350 mm



L 336 mm - C 180 or 230 mm



AIRWIN A45

Article	Product code	230 Vac	Article	Product code	24 Vdc	Colour	Strokes	Push pull	Power	Weight	Pcs
A45/180 230V basic	MA45 S1 18H 0G 00	0,29 A	A45/180 24V basic	MA45 S1 18L 0G 00	1,5 A	■ Grey RAL 7035	180 mm	450 N	36W	1,70 Kg	1
A45/230 230V basic	MA45 S1 23H 0G 00	0,29 A	A45/230 24V basic	MA45 S1 23L 0G 00	1,5 A	■ Grey RAL 7035	230 mm	450 N	36W	1,75 Kg	1
A45/350 230V basic	MA45 S1 35H 0G 00	0,29 A	A45/350 24V basic	MA45 S1 35L 0G 00	1,5 A	■ Grey RAL 7035	350 mm	450 N	36W	1,90 Kg	1
A45/550 230V basic	MA45 S1 55H 0G 00	0,29 A	A45/550 24V basic	MA45 S1 55L 0G 00	1,5 A	■ Grey RAL 7035	550 mm	450 N	36W	4,50 Kg	2
A45/750 230V basic	MA45 S1 75H 0G 00	0,29 A	A45/750 24V basic	MA45 S1 75L 0G 00	1,5 A	■ Grey RAL 7035	750 mm	450 N	36W	5,50 Kg	2
A45/1000 230V basic	MA45 S1 0AH 0G 00	0,29 A	A45/1000 24V basic	MA45 S1 0AL 0G 00	1,5 A	■ Grey RAL 7035	1000 mm	450 N	36W	6,00 Kg	2

Comando a parete
Push-button



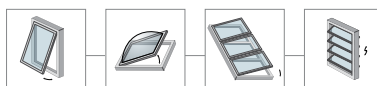
L < 125 cm
Base / Length

Fino a **30** finestre
Up to windows



AIRWIN A65

- W** ■ Collegamento senza centralina | *Without control unit*
 - SOFT START & STOP
 - Rilevamento ostacoli | *Obstacle detection*
 - Fine corsa per assorbimento | *Stroke limit - resistance*
- Velocità | *Speed* 10 mm/sec
 - Forza di spinta | *Thrust force* 650 N
 - Servizio | *Type of service* S2 - 4 min
 - Temp min-max -5°C / +50°C
- IP44



L 1096 mm - C 1000 mm



L 846 mm - C 750 mm



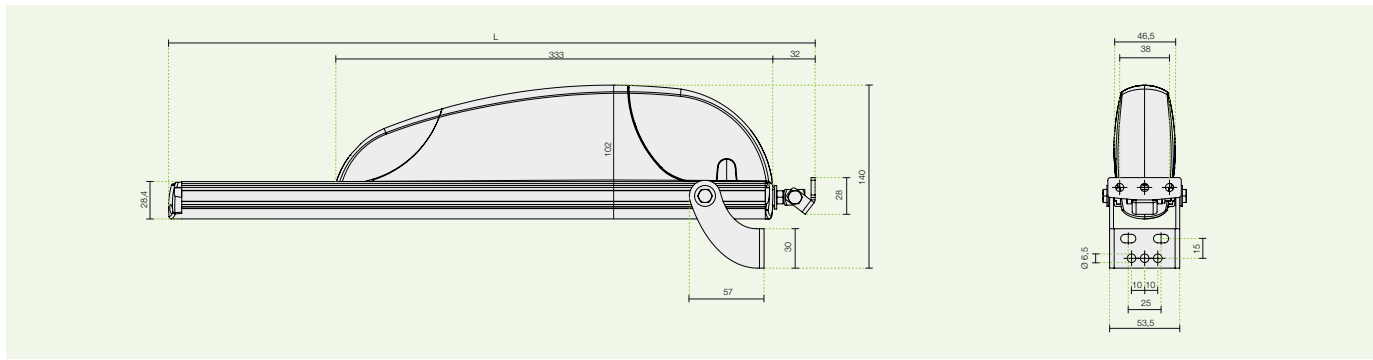
L 646 mm - C 550 mm



L 446 mm - C 350 mm



L 336 mm - C 180 or 230 mm



AIRWIN A65

Article	Product code	230 Vac	Article	Product code	24 Vdc	Colour	Strokes	Push pull	Power	Weight	Pcs
A65/180 230V basic	MA65 S1 18H OG 00	0,36 A	A65/180 24V basic	MA65 S1 18L OG 00	1,85 A	■ Grey RAL 7035	180 mm	650 N	45W	1,70 Kg	1
A65/230 230V basic	MA65 S1 23H OG 00	0,36 A	A65/230 24V basic	MA65 S1 23L OG 00	1,85 A	■ Grey RAL 7035	230 mm	650 N	45W	1,75 Kg	1
A65/350 230V basic	MA65 S1 35H OG 00	0,36 A	A65/350 24V basic	MA65 S1 35L OG 00	1,85 A	■ Grey RAL 7035	350 mm	650 N	45W	1,90 Kg	1
A65/550 230V basic	MA65 S1 55H OG 00	0,36 A	A65/550 24V basic	MA65 S1 55L OG 00	1,85 A	■ Grey RAL 7035	550 mm	650 N	45W	4,50 Kg	1
A65/750 230V basic	MA65 S1 75H OG 00	0,36 A	A65/750 24V basic	MA65 S1 75L OG 00	1,85 A	■ Grey RAL 7035	750 mm	650 N	45W	5,50 Kg	2
A65/1000 230V basic	MA65 S1 0AH OG 00	0,36 A	A65/1000 24V basic	MA65 S1 0AL OG 00	1,85 A	■ Grey RAL 7035	1000 mm	650 N	45W	6,00 Kg	2

Comando a parete Push-button L < 125 cm Base / Length Fino a 30 finestre Up to windows

AIRWIN A65 2W-NET

Article	Product code	230 Vac	Article	Product code	24 Vdc	Colour	Strokes	Push pull	Power	Weight	Pcs
A65/180 230V 2W-NET	MA65 S2 18H OG 00	0,36 A	A65/180 24V 2W-NET	MA65 S2 18L OG 00	1,85 A	■ Grey RAL 7035	180 mm	650 N	45W	3,40 Kg	2
A65/230 230V 2W-NET	MA65 S2 23H OG 00	0,36 A	A65/230 24V 2W-NET	MA65 S2 23L OG 00	1,85 A	■ Grey RAL 7035	230 mm	650 N	45W	3,50 Kg	2
A65/350 230V 2W-NET	MA65 S2 35H OG 00	0,36 A	A65/350 24V 2W-NET	MA65 S2 35L OG 00	1,85 A	■ Grey RAL 7035	350 mm	650 N	45W	3,80 Kg	2
A65/550 230V 2W-NET	MA65 S2 55H OG 00	0,36 A	A65/550 24V 2W-NET	MA65 S2 55L OG 00	1,85 A	■ Grey RAL 7035	550 mm	650 N	45W	4,50 Kg	2
A65/750 230V 2W-NET	MA65 S2 75H OG 00	0,36 A	A65/750 24V 2W-NET	MA65 S2 75L OG 00	1,85 A	■ Grey RAL 7035	750 mm	650 N	45W	5,50 Kg	2
A65/1000 230V 2W-NET	MA65 S2 0AH OG 00	0,36 A	A65/1000 24V 2W-NET	MA65 S2 0AL OG 00	1,85 A	■ Grey RAL 7035	1000 mm	650 N	45W	6,00 Kg	2

2W NET Comando a parete Push-button L 125 < 250 cm Base / Length Fino a 15 finestre Up to windows

AIRWIN A65 3W-NET

Article	Product code	230 Vac	Article	Product code	24 Vdc	Colour	Strokes	Push pull	Power	Weight	Pcs
A65/180 230V 3W-NET	MA65 S3 18H OG 00	0,36 A	A65/180 24V 3W-NET	MA65 S3 18L OG 00	1,85 A	■ Grey RAL 7035	180 mm	650 N	45W	5,10 Kg	3
A65/230 230V 3W-NET	MA65 S3 23H OG 00	0,36 A	A65/230 24V 3W-NET	MA65 S3 23L OG 00	1,85 A	■ Grey RAL 7035	230 mm	650 N	45W	5,25 Kg	3
A65/350 230V 3W-NET	MA65 S3 35H OG 00	0,36 A	A65/350 24V 3W-NET	MA65 S3 35L OG 00	1,85 A	■ Grey RAL 7035	350 mm	650 N	45W	5,70 Kg	3
A65/550 230V 3W-NET	MA65 S3 55H OG 00	0,36 A	A65/550 24V 3W-NET	MA65 S3 55L OG 00	1,85 A	■ Grey RAL 7035	550 mm	650 N	45W	6,75 Kg	3
A65/750 230V 3W-NET	MA65 S3 75H OG 00	0,36 A	A65/750 24V 3W-NET	MA65 S3 75L OG 00	1,85 A	■ Grey RAL 7035	750 mm	650 N	45W	8,25 Kg	3
A65/1000 230V 3W-NET	MA65 S3 0AH OG 00	0,36 A	A65/1000 24V 3W-NET	MA65 S3 0AL OG 00	1,85 A	■ Grey RAL 7035	1000 mm	650 N	45W	9,00 Kg	3

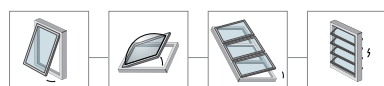
3W NET Comando a parete Push-button L 250 < 375 cm Base / Length Fino a 10 finestre Up to windows

AIRWIN A65 4W-NET

Article	Product code	230 Vac	Article	Product code	24 Vdc	Colour	Strokes	Push pull	Power	Weight	Pcs
A65/180 230V 4W-NET	MA65 S4 18H OG 00	0,36 A	A65/180 24V 4W-NET	MA65 S4 18L OG 00	1,85 A	■ Grey RAL 7035	180 mm	650 N	45W	6,80 Kg	4
A65/230 230V 4W-NET	MA65 S4 23H OG 00	0,36 A	A65/230 24V 4W-NET	MA65 S4 23L OG 00	1,85 A	■ Grey RAL 7035	230 mm	650 N	45W	7,00 Kg	4
A65/350 230V 4W-NET	MA65 S4 35H OG 00	0,36 A	A65/350 24V 4W-NET	MA65 S4 35L OG 00	1,85 A	■ Grey RAL 7035	350 mm	650 N	45W	7,60 Kg	4
A65/550 230V 4W-NET	MA65 S4 55H OG 00	0,36 A	A65/550 24V 4W-NET	MA65 S4 55L OG 00	1,85 A	■ Grey RAL 7035	550 mm	650 N	45W	9,00 Kg	4
A65/750 230V 4W-NET	MA65 S4 75H OG 00	0,36 A	A65/750 24V 4W-NET	MA65 S4 75L OG 00	1,85 A	■ Grey RAL 7035	750 mm	650 N	45W	11,00 Kg	4
A65/1000 230V 4W-NET	MA65 S4 0AH OG 00	0,36 A	A65/1000 24V 4W-NET	MA65 S4 0AL OG 00	1,85 A	■ Grey RAL 7035	1000 mm	650 N	45W	12,00 Kg	4

4W NET Comando a parete Push-button L 375 < 500 cm Base / Length Fino a 7 finestre Up to windows

AIRWIN A MECH



■ Velocità | Speed 10 mm/sec
■ Temp min-max -5°C / +50°C IP44



L 1096 mm - C 1000 mm



L 846 mm - C 750 mm



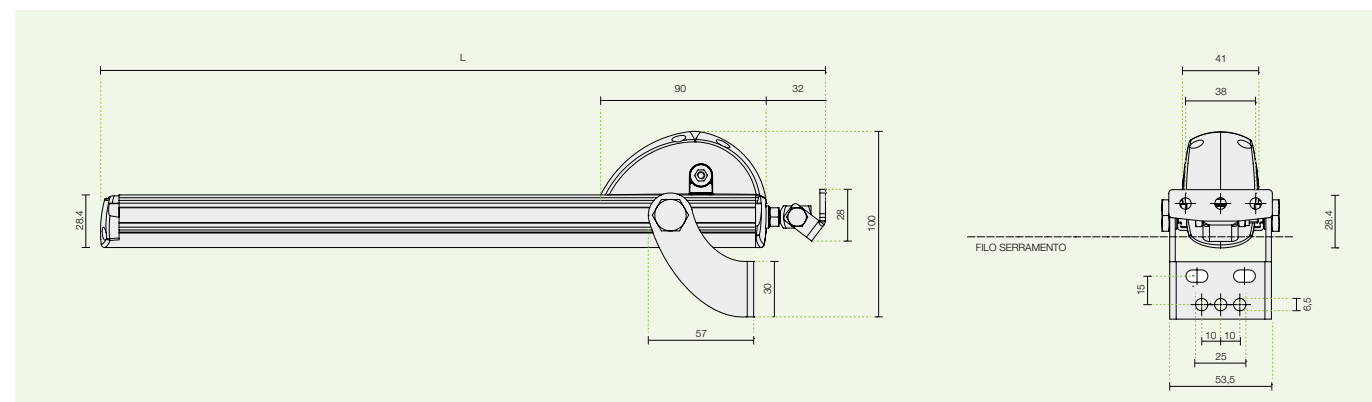
L 646 mm - C 550 mm



L 446 mm - C 350 mm



L 336 mm - C 180 or 230 mm



AIRWIN A MECH

Article	Product code	Colour	Strokes	Weight	Pieces
A180 MECH	MA00 MC 18N 0G 00	■ Grey RAL 7015	180 mm	1,80 Kg	2
A230 MECH	MA00 MC 23N 0G 00	■ Grey RAL 7015	230 mm	2,00 Kg	2
A350 MECH	MA00 MC 35N 0G 00	■ Grey RAL 7015	350 mm	2,40 Kg	2
A550 MECH	MA00 MC 55N 0G 00	■ Grey RAL 7015	550 mm	3,10 Kg	2
A750 MECH	MA00 MC 75N 0G 00	■ Grey RAL 7015	750 mm	3,80 Kg	2
A1000 MECH	MA00 MC 0AN 0G 00	■ Grey RAL 7015	1000 mm	4,60 Kg	2

Comando a parete
Push-button



L < 125 cm
Base / Length

Fino a **30** finestre
Up to windows

