

ACK4RWA



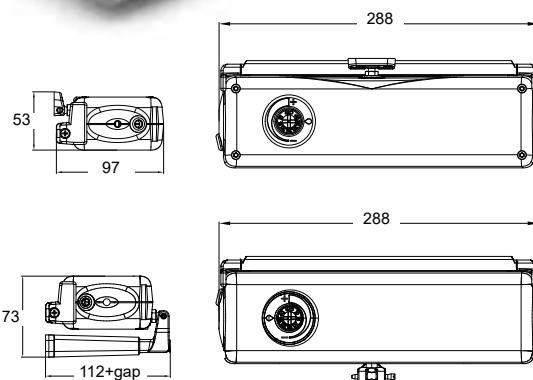
Chain actuator
Thrust force 300N
Adjustable stroke max. 400mm



DESCRIPTION FOR TECHNICAL SPECIFICATIONS

Electric actuator Topp model ACK4 with a double link articulated stainless steel chain, enclosed in a special diecast aluminum casing, painted with epoxy powders, with different mounting accessories for top and bottom hung windows. Operation at 24V DC. Max. traction and thrust force 300N. End of stroke adjustable at 100, 150, 200, 205, 300, 350, 400 mm by an external knob located on both sides of the actuator.

Electronic device with acoustic warning to signal erroneous installation (buzzer) Upon request, a preset "S" version for the synchronous operation of more actuators on the same window is available. High protection IP 55 rated. CE marked device, complying with the EN12101-2 standard designed for smoke ventilation applications.



Easy stroke adjustment (7 positions from 100 to 400mm) - International patent



Double link articulated stainless steel chain.



High protection IP 55 rated.

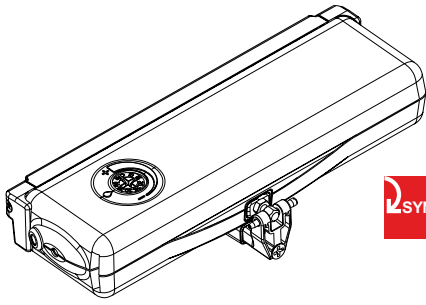
TECHNICAL CHARACTERISTICS

ACK4 24V

Power supply voltage	24V
Maximum applicable load in thrust	300 N
Maximum applicable load in traction	300 N
Strokes	100 - 150 - 200 - 250 - 300 - 350 - 400 mm
Absorbed current	1,35 A
Idle translation speed	17 mm/s
Duration of the idle stroke	23 s
Double insulated	si
Service Type	S2 of 3 min
Operating temperature	- 5°C + 50°C
Protection Class	IP 55
Adjustment of the window frame hooking system	10 mm
Parallel connection option	YES
Synchronous operation of more actuators on the same window	with S version
Chain position control	YES
Stroke end	encoder
Acoustic device that warns of any eventual incorrect installations (buzzer)	YES
Dimensions	288,5x83x47,8 mm
Weight**	1,9 kg

** Weight may vary according to the chosen accessories

CODE PRODUCT DESCRIPTION



ACK4 RWA version 1 push point (without upper bracket for bottom hung windows)

3A11#	ACK4S chain actuator 24V RWA version - black RAL 9005 3mt silicon cable
3A11#	ACK4S chain actuator 24V RWA version - silver RAL 9006 3mt silicon cable
3A11#	ACK4S chain actuator 24V RWA version - white RAL 9010 3mt silicon cable



ACK4S version for the synchronous operation of more ACK4 on the same window frame available.

Description of the standard pattern for 1 push point in bottom-hung outward opening application

3A11#	ACK4S chain actuator 24 V Frontal bracket for top/bottom hung windows Hooking device to the frame and spare parts
-------	---

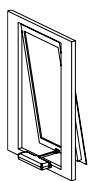
Description for dual push point solution in bottom-hung outward opening application

3A12#	ACK4S 24V RWA actuator - black (silicon red cable)
3A12#	ACK4S 24V RWA actuator - black (silicon red cable)

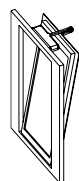
Accessories and spare parts

	3A1360	Frontal bracket for top/bottom hung windows - black
	3A1362	Frontal bracket for top/bottom hung windows - silver
	3A1361	Frontal bracket for top/bottom hung windows - white
	3A1391	Large swivel brackets set frontal mounting - black
	3A1393	Large swivel brackets set frontal mounting - silver
	3A1392	Large swivel brackets set frontal mounting - white
	3A1380	Fixed vertical mounting brackets set - black
	3A1382	Fixed vertical mounting brackets set - silver
	3A1381	Fixed vertical mounting brackets set - white
	3A1396	Small vertical mounting brackets set - black
	3A1398	Small vertical mounting brackets set - silver
	3A1397	Small vertical mounting brackets set - white
	3A1355	Upper bracket for bottom hung windows - black
	3A1375	Single swivel bracket for bottom hung windows - black
	3A1377	Single swivel bracket for bottom hung windows - silver
	3A1376	Single swivel bracket for bottom hung windows - white
	3A1001	Hooking device to the frame with pin and spare parts
	0B0005	Extension pin h 37,5 (overlap 10-20mm)
	0B0007	Extension pin h 47,5 (overlap 20-30mm)
	0B0006	Extension pin h 57,5 (overlap 30-40mm)

Special lead max. 6mt long available



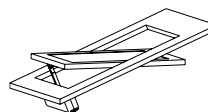
Top-hung windows



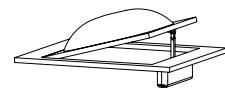
Bottom-hung windows



Bottom-hung windows



Skylights, roof windows



Cupolas